

LEDIST OPTOELECTRONICS CO., LTD

Data sheet for L-556UWC-120

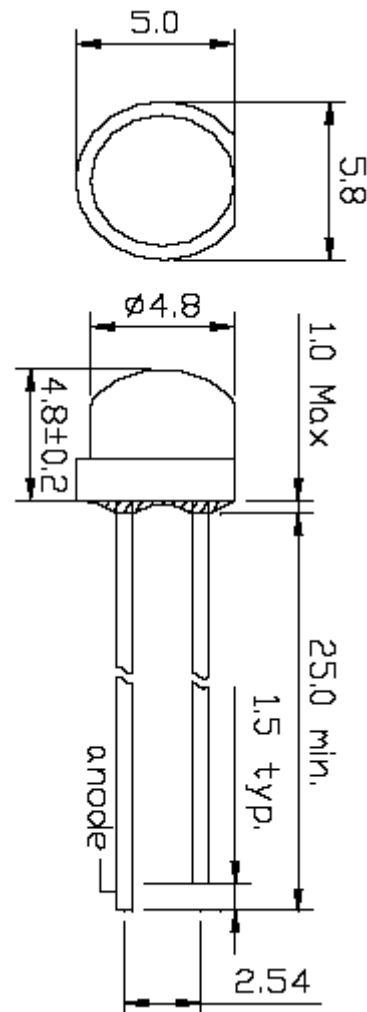
Features:

- Low power consumption
- High intensity
- Solid state reliability
- Industrial standard size, IC compatible

Description:

- 5mm strawhat LED
- Emitting color: White, InGaN
- Water clear epoxy
- Viewing angle: 120°

Package Dimensions:



Notes:

1. All dimensions are in millimeters(inches)
2. Tolerance is 0.25mm(0.01") unless otherwise noted
3. Above specifications may be changed without notice

Absolute maximum ratings at Ta = 25°C:

Parameter	Symbol	Rating	Unit
Power Dissipation	Pd	120	mW
Reverse Voltage	Vr	5	V
DC. Forward Current	If	30	mA
Peak Current (1/10 Duty Cycle , 0.1 ms Pulse Width)	If(Peak)	100	mA
Operating Temperature Range	Topr	-30to+85	°C
Storage Temperature Range	Tstg	-30to+100	°C
Lead Soldering Temp.(1.6mm from body) for 5 seconds		260	°C

Electrical Characteristics at TA=25°C:

Parameter	Symbol	Test Condition	Min.	Typ.	Max.	Unit
Luminous Intensity	Iv	IF=20mA	1300	--	2200	mcd
Forward Voltage	Vf	IF=20mA	3.0	3.2	3.5	V
Peak Wavelength	λ_p	IF=20mA	--	--	--	nm
Dominant Wavelength	λ_d	IF=20mA	--	--	--	nm
Reverse Current	Ir	VR=5V	--	--	10	uA
Viewing Angle	2 θ 1/2	IF=20mA	--	120	--	Deg
Spectrum Line Halfwidth	$\Delta\lambda$	IF=20mA	--	--	--	nm
Color Rendering Index Calculation	Spm	X	--	0.29	--	--
		Y	--	0.29	--	
Color Temperature	Tc	IF=20mA	--	6500	--	k

Typical Optical-Electronic Characteristic Curves:

