

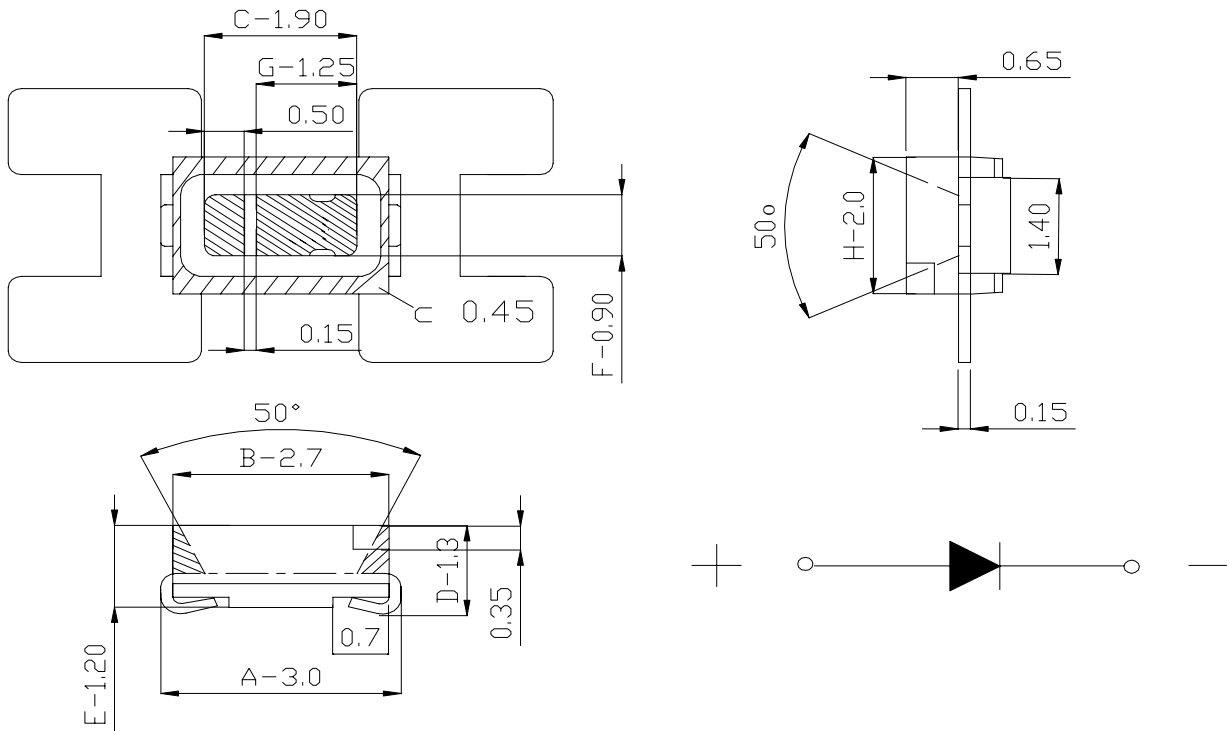
LEDIST OPTOELECTRONICS CO., LTD

Data sheet for L-T3020WY

Features:

- Top view type
- Viewing angle: 110 deg
- Emitting color: White, InGaN
- 3.0mm×2.0mm×1.2mm SMT-LED
- Lead-Free Package (According to RoHS)

Package Dimensions:



NOTES:

1. All dimensions are in millimeters (inches);
2. Tolerances are $\pm 0.2\text{mm}$ (0.008inch) unless otherwise noted.

Absolute maximum ratings at Ta = 25°C:

Parameter	Max	Unit
Power dissipation	105	mW
Forward current	30	mA
Reverse voltage	5	V
Operating temperature range	-40 ~+100 °C	Top
Storage temperature range	-40~+100 °C	Tstg
Pulse Forward Current	100	mA
Electrostatic Discharge	1000(HBM)	V

Electro-optical characteristics at Ta=25°C:

Parameter	Test Condition	Symbol	Value			Unit
			Min.	Typ.	Max.	
Forward voltage	If=20mA	Vf	2.8	--	3.5	V
Luminous intensity	If=20mA	Iv	800	--	2300	mcd
Viewing angle at 50% Iv	If=20mA	2 θ 1/2	--	120	--	Deg
Reverse current	Vr=5V	Ir	--	--	10	μA
Dominant wavelength	If=20mA	X	0.24	0.275	0.32	--
		Y	0.24	0.29	0.32	--

NOTE: (Tolerance: Iv ±10%, λd ±2nm, Vf ±0.05V, X, Y ±0.01)
IFP Conditions: Pulse Width ≦ 10msec. and Duty ≦ 1/10.

Typical optical characteristics curves:

