

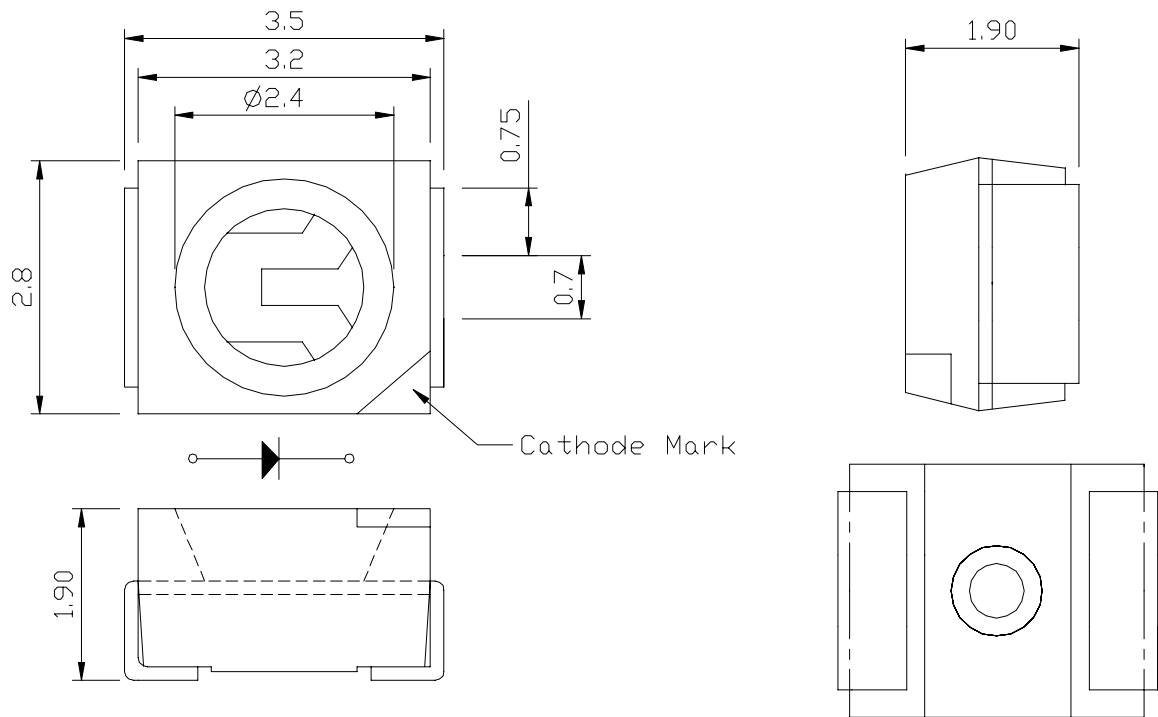
# LEDIST OPTOELECTRONICS CO., LTD

## Data sheet for L-T3528BC

### Features:

- Top view type
- Viewing angle: 120 deg
- Emitting color: Blue, InGaN
- 3.50mm×2.80mm×1.90mm SMT-LED
- Lead-Free Package (According to RoHS)

### Package Dimensions:



### NOTES:

1. All dimensions are in millimeters (inches);
2. Tolerances are  $\pm 0.2\text{mm}$  (0.008inch) unless otherwise noted.

**Absolute maximum ratings at Ta = 25°C:**

Parameter	Max	Unit
Power dissipation	105	mW
Forward current	30	mA
Reverse voltage	5	V
Operating temperature range	-40 ~+100 °C	Top
Storage temperature range	-40~+100 °C	Tstg
Pulse Forward Current	100	mA
Electrostatic Discharge	1000(HBM)	V

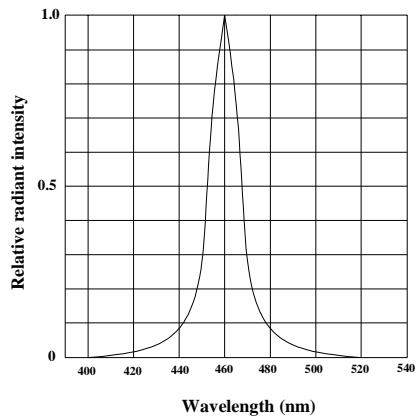
**Electro-optical characteristics at Ta=25°C:**

Parameter	Test Condition	Symbol	Value			Unit
			Min.	Typ.	Max.	
Forward voltage	If=20mA	Vf	--	3.2	3.5	V
Luminous intensity	If=20mA	Iv	280	360	--	mcd
Viewing angle at 50% Iv	If=20mA	2 θ 1/2	--	120	--	Deg
Reverse current	Vr=5V	Ir	--	--	10	μA
Dominant wavelength	If=20mA	λd	465	--	475	nm

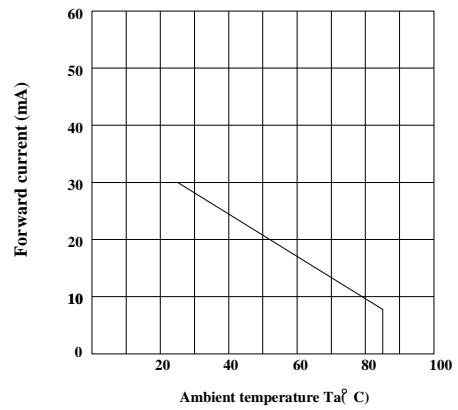
**NOTE:** (Tolerance: Iv ±10%, λd ±2nm, Vf ±0.05V, X, Y ±0.01)  
IFP Conditions: Pulse Width ≦ 10msec. and Duty ≦ 1/10.

## Typical optical characteristics curves:

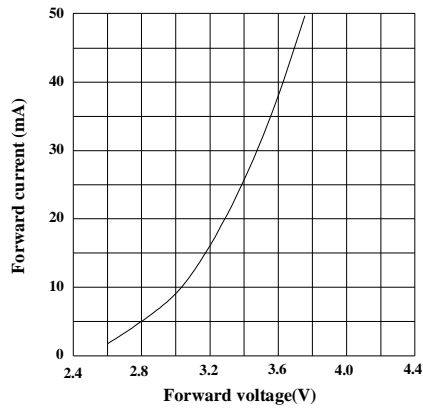
Relative intensity vs. wavelength(Ta=25°C)



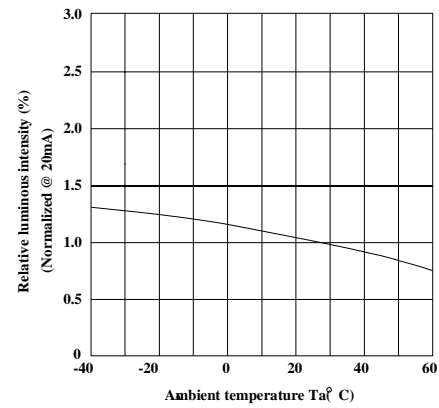
Forward current derating curve vs. ambient temperature



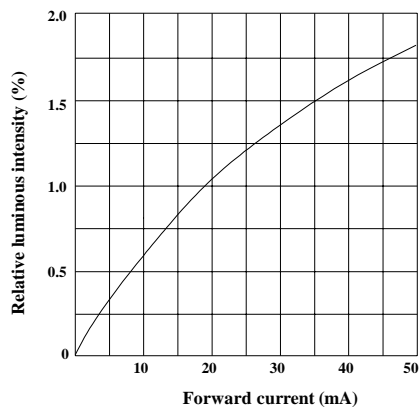
Forward current vs. forward voltage(Ta=25°C)



Luminous intensity vs. ambient temperature



Relative luminous intensity vs. forward current



Radiation diagram

