

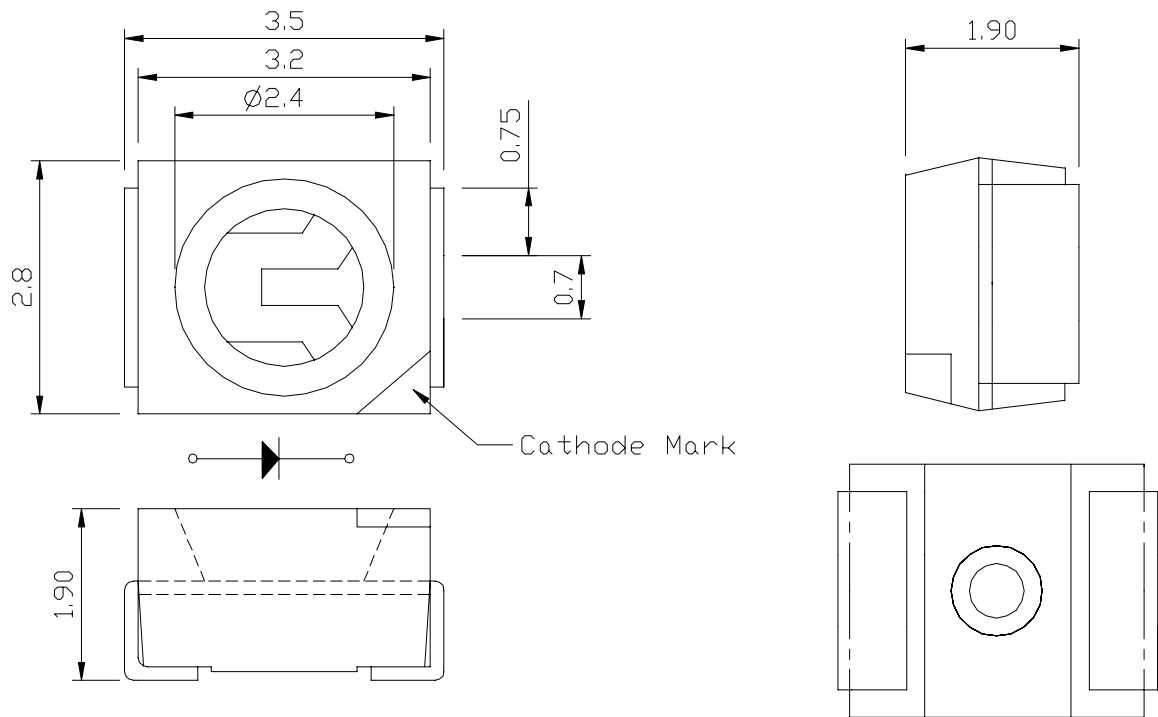
LEDIST OPTOELECTRONICS CO., LTD

Data sheet for L-T3528RC

Features:

- Top view type
- Viewing angle: 120 deg
- Emitting color: Super red, AlGaInP
- 3.50mm×2.80mm×1.90mm SMT-LED
- Lead-Free Package (According to RoHS)

Package Dimensions:



NOTES:

1. All dimensions are in millimeters (inches);
2. Tolerances are ± 0.2 mm (0.008inch) unless otherwise noted.

Absolute maximum ratings at Ta = 25°C:

Parameter	Max	Unit
Power dissipation	80	mW
Forward current	30	mA
Reverse voltage	5	V
Operating temperature range	-40 ~+100 °C	Top
Storage temperature range	-40~+100 °C	Tstg
Pulse Forward Current	100	mA
Electrostatic Discharge	2000(HBM)	V

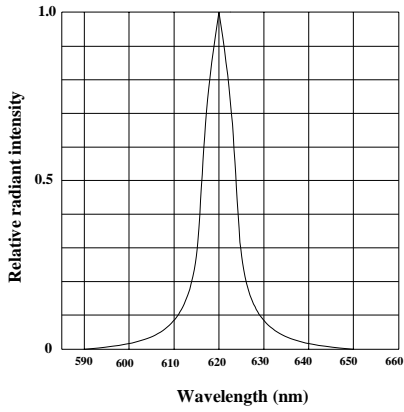
Electro-optical characteristics at Ta=25°C:

Parameter	Test Condition	Symbol	Value			Unit
			Min.	Typ.	Max.	
Forward voltage	If=20mA	Vf	1.8	--	2.2	V
Luminous intensity	If=20mA	Iv	200	--	430	mcd
Viewing angle at 50% Iv	If=20mA	2 θ 1/2	--	120	--	Deg
Reverse current	Vr=5V	Ir	--	--	10	μA
Dominant wavelength	If=20mA	λd	620	--	630	nm

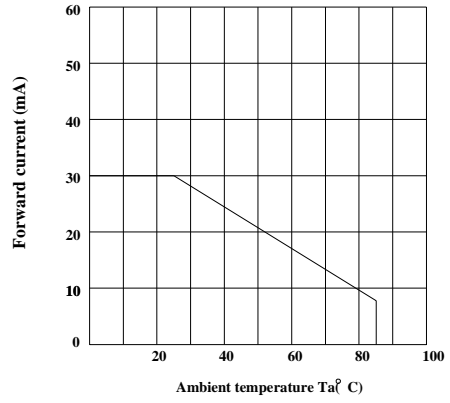
NOTE: (Tolerance: Iv ±10%, λd ±2nm, Vf ±0.05V, X, Y ±0.01)
IFP Conditions: Pulse Width ≦ 10msec. and Duty ≦ 1/10.

Typical optical characteristics curves:

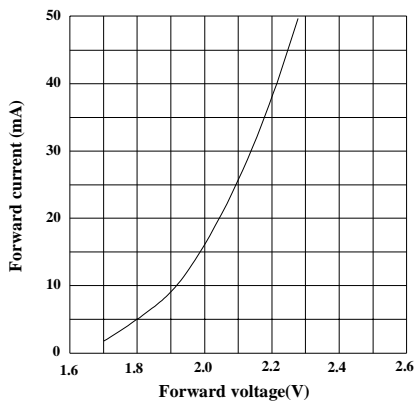
Relative intensity vs. wavelength(Ta=25°C)



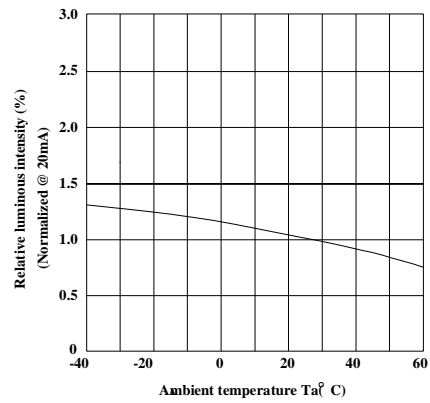
Forward current derating curve vs. ambient temperature



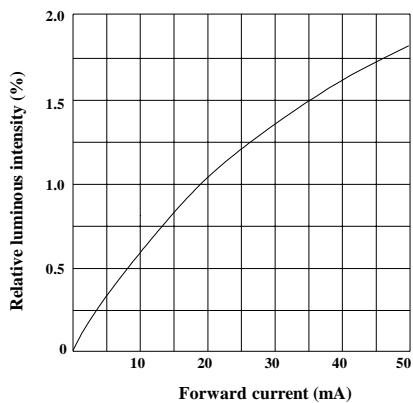
Forward current vs. forward voltage(Ta=25°C)



Luminous intensity vs. ambient temperature



Relative luminous intensity vs. forward current



Radiation diagram

