

LEDIST OPTOELECTRONICS CO., LTD

Data sheet for LA-25631BWB

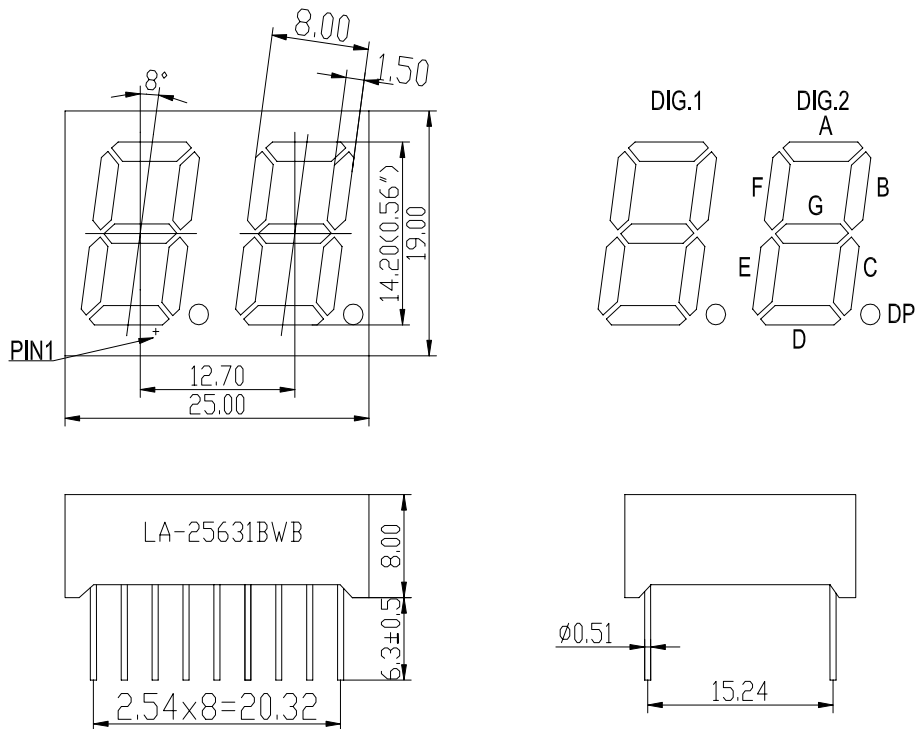
Features:

- Low power consumption
- High intensity and solid state reliability
- Continuous and uniform segment
- Industrial standard size, IC compatible

Description:

- Digit height 14.20 mm (0.56 inch), Two digits seven-segment display
- Emitting color: Blue, InGaN
- Black face, White diffused epoxy
- Common anode

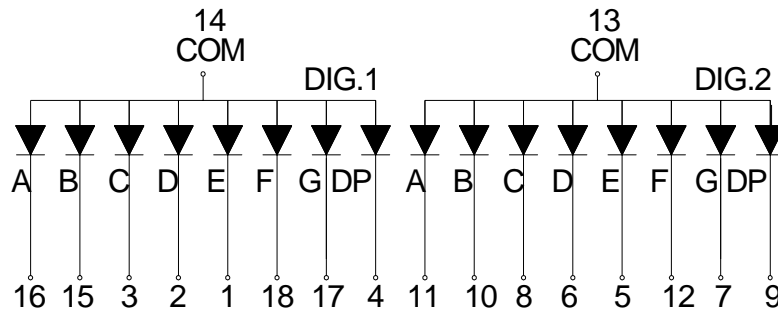
Package Dimensions:



Notes:

1. All dimensions are in millimeters(inches)
2. Tolerance is 0.25mm(0.01") unless otherwise noted
3. Above specifications may be changed without notice

Internal Circuit Diagram:



Absolute maximum ratings at Ta = 25 :

Parameter	Max	Unit
Reverse Voltage	5	V
Forward Current	25	mA
Operating Temperature	-40 to + 85	°C
Storage Temperature	-40 to + 85	°C
Soldering Temperature	260 ± 5 (less than 5 sec.)	°C
Power Consumption	60	mW

Electrical Characteristics at TA=25°C:

Parameter	Symbol	Min	Typ	Max	Unit	Test condition
Luminous Intensity Per Segment	Iv	—	13	—	mcd	IF=10mA
Dominant Wavelength	λd	—	467	—	nm	IF=20mA
Spectrum Radiation Bandwidth	Δλ	—	26	—	nm	IF=20mA
Forward Voltage Per Segment	Vf	—	3.3	3.7	V	IF=20mA
Reverse Current Per Segment	Ir	—	—	100	μ A	VR =5V