

LEDIST OPTOELECTRONICS CO., LTD

Data sheet for LA-34011WYB

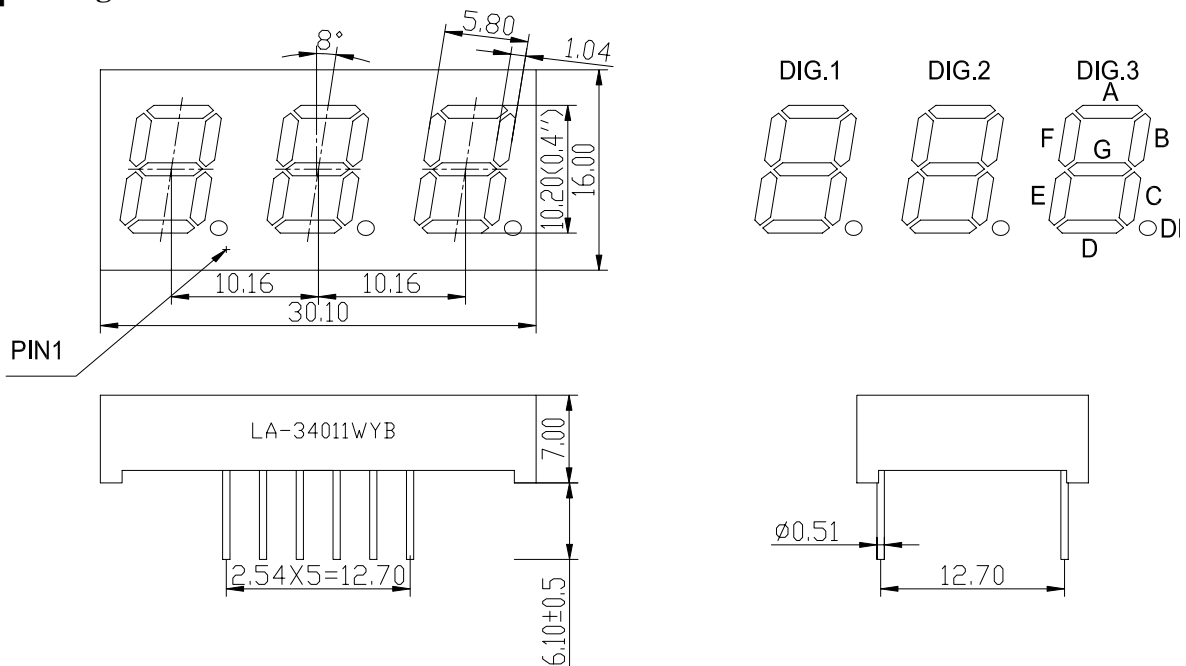
Features:

- Low power consumption
- High intensity and solid state reliability
- Continuous and uniform segment
- Industrial standard size, IC compatible

Description:

- Digit height 10.2mm(0.4 inch), Three digits seven-segment display
- Emitting color: White, InGaN
- Black face, Yellow epoxy
- Common anode

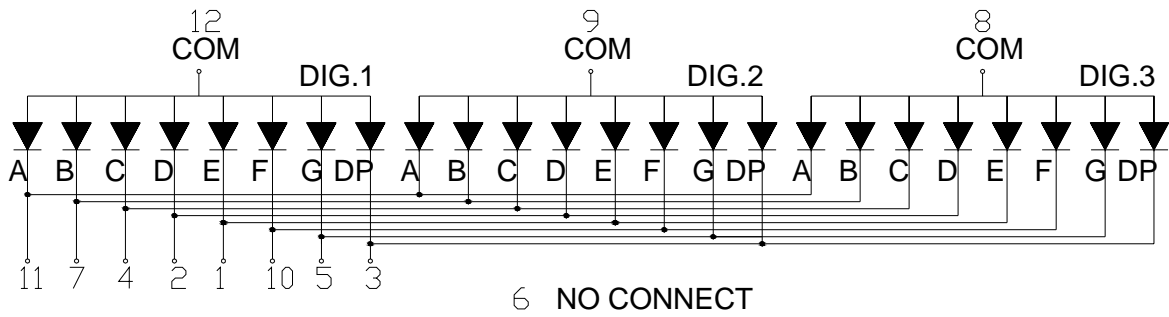
Package Dimensions:



Notes:

1. All dimensions are in millimeters(inches)
2. Tolerance is 0.25mm(0.01") unless otherwise noted
3. Above specifications may be changed without notice

Internal Circuit Diagram:



Absolute maximum ratings at Ta = 25 :

| Parameter | Max | Unit |
|-----------------------|----------------------------|------|
| Reverse Voltage | 5 | V |
| Forward Current | 25 | mA |
| Operating Temperature | -40 to + 85 | °C |
| Storage Temperature | -40 to + 85 | °C |
| Soldering Temperature | 260 ± 5 (less than 5 sec.) | °C |
| Power Consumption | 100 | mW |

Electrical Characteristics at TA=25°C:

| Parameter | Symbol | Min | Typ | Max | Unit | Test condition |
|--------------------------------|--------|-----|------------------|-----|------|----------------|
| Luminous Intensity Per Segment | Iv | — | 10.0 | — | mcd | IF=10mA |
| Chromaticity coordinate | — | — | x=0.29 y=0.30 | — | — | IF=20mA |
| Spectrum Radiation Bandwidth | Δλ | — | — | — | nm | IF=20mA |
| Forward Voltage Per Segment | Vf | — | 3.3 | 3.7 | V | IF=20mA |
| Reverse Current Per Segment | Ir | — | — | 100 | μ A | VR =5V |