

# LEDIST OPTOELECTRONICS CO., LTD

## Data sheet for LA-SB323BWA

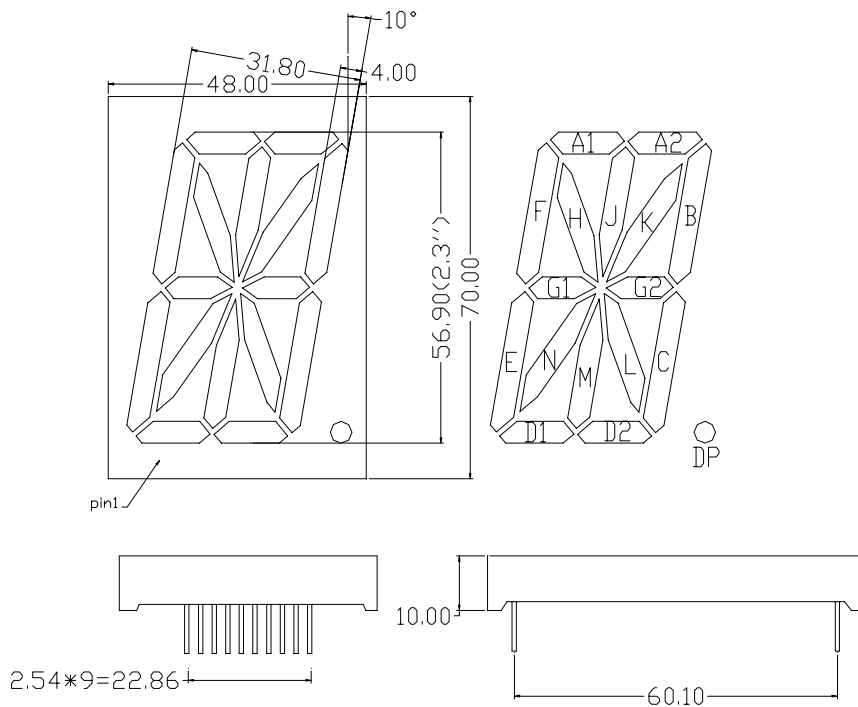
### Features:

- Low power consumption
- High intensity and solid state reliability
- Continuous and uniform segment
- Industrial standard size, IC compatible

### Description:

- Digit height 56.9mm(2.3 inch), Single digit alphanumeric display
- Emitting color: High blue, InGaN
- Gray face, White diffused epoxy
- Common anode

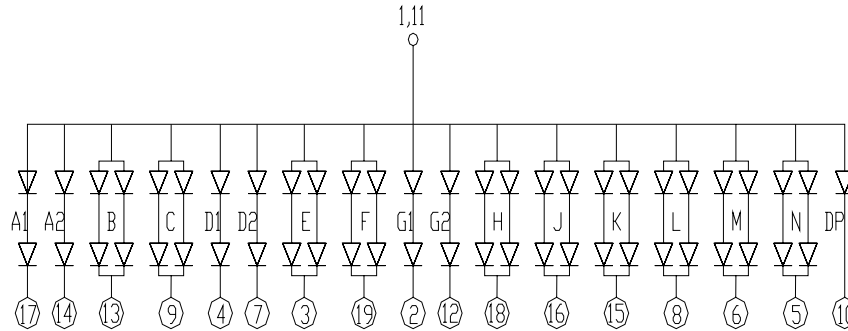
### Package Dimensions:



### Notes:

1. All dimensions are in millimeters(inches)
2. Tolerance is 0.25mm(0.01") unless otherwise noted
3. Above specifications may be changed without notice

**Internal Circuit Diagram:**



**Absolute maximum ratings at Ta = 25 :**

Parameter	Max	Unit
Reverse Voltage	5	V
Forward Current	25	mA
Operating Temperature	-40 to + 85	°C
Storage Temperature	-40 to + 85	°C
Soldering Temperature	260 ± 5 (less than 5 sec.)	°C
Power Consumption	100	mW

**Electrical Characteristics at TA=25°C:**

Parameter	Symbol	Min	Typ	Max	Unit	Test condition
Luminous Intensity Per Segment	Iv	—	45	—	mcd	IF=10mA
Dominant Wavelength	λd	—	460	—	nm	IF=20mA
Spectrum Radiation Bandwidth	Δλ	—	20	—	nm	IF=20mA
Forward Voltage Per Segment	Vf	—	3.3	3.7	V	IF=20mA
Reverse Current Per Segment	Ir	—	—	100	μ A	VR =5V