

# LEDIST OPTOELECTRONICS CO., LTD

## Data sheet for LC-235811WYB

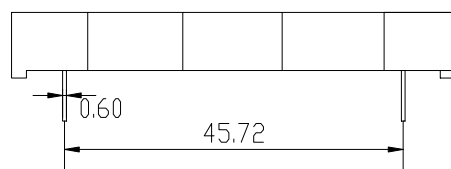
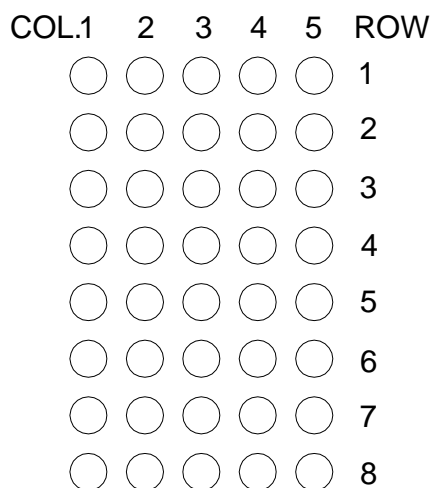
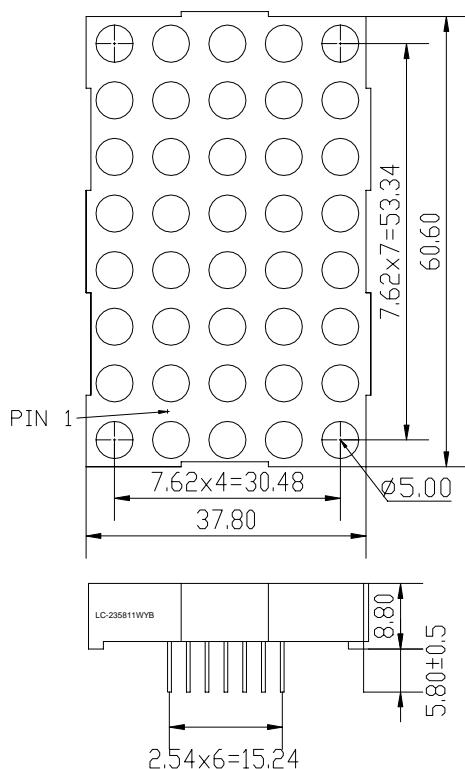
### Features:

- Low power consumption
- High intensity and solid state reliability
- Continuous and uniform segment
- Industrial standard size, IC compatible

### Description:

- 5×8 dot matrix display, 5.0mm dot and 7.62mm pitch
- Emitting color: White, InGaN
- Black face, White diffused epoxy
- Common cathode

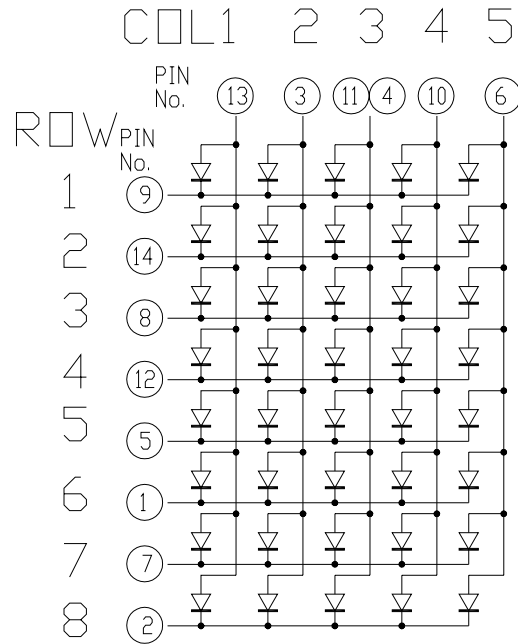
### Package Dimensions:



### Notes:

1. All dimensions are in millimeters(inches)
2. Tolerance is 0.25mm(0.01") unless otherwise noted
3. Above specifications may be changed without notice

## Internal Circuit Diagram:



## Absolute maximum ratings at Ta = 25 :

Parameter	Max	Unit
Reverse Voltage	5	V
Forward Current	25	mA
Operating Temperature	-40 to + 85	°C
Storage Temperature	-40 to + 85	°C
Soldering Temperature	260 ± 5(less than 5 sec.)	°C
Power Consumption	60	mW

## Electrical Characteristics at TA=25°C:

Parameter	Symbol	Min	Typ	Max	Unit	Test condition
Luminous Intensity Per Segment	Iv	—	35	—	mcd	IF=10mA
Chromaticity Coordinate	—	—	x=0.29 y=0.30	—	—	IF=20mA
Spectrum Radiation Bandwidth	$\Delta\lambda$	—	—	—	nm	IF=20mA
Forward Voltage Per Die	Vf	—	3.3	3.7	V	IF=20mA
Reverse Current Per Segment	Ir	—	—	100	$\mu$ A	VR =5V