

# LEDIST OPTOELECTRONICS CO., LTD

## Data sheet for LC-32811URWB

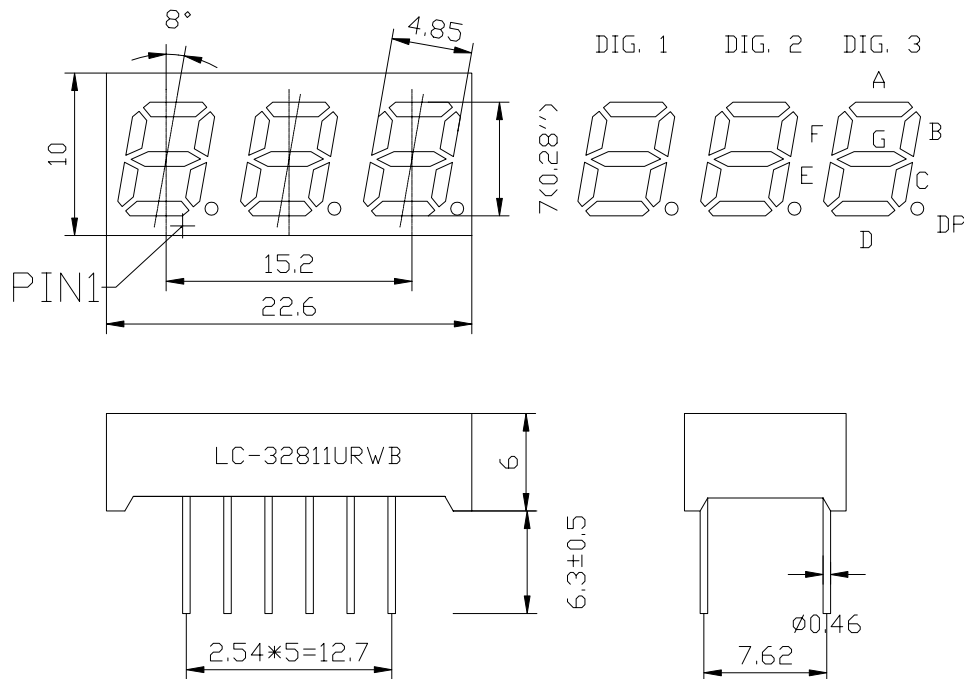
### Features:

- Low power consumption
- High intensity and solid state reliability
- Continuous and uniform segment
- Industrial standard size, IC compatible

### Description:

- Digit height 7.0mm(0.28 inch), Three digits seven-segment display
- Emitting color: Ultra red, AlGaAs
- Black face, White diffused epoxy
- Common cathode

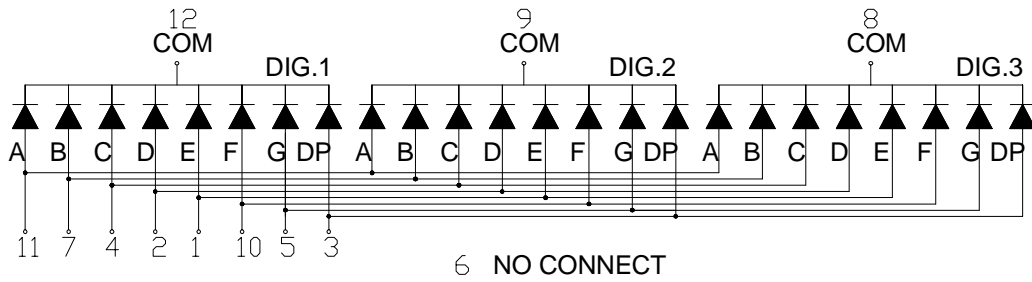
### Package Dimensions:



### Notes:

1. All dimensions are in millimeters(inches)
2. Tolerance is 0.25mm(0.01") unless otherwise noted
3. Above specifications may be changed without notice

**Internal Circuit Diagram:**



**Absolute maximum ratings at Ta = 25 :**

Parameter	Max	Unit
Reverse Voltage	5	V
Forward Current	25	mA
Operating Temperature	-40 to + 85	°C
Storage Temperature	-40 to + 85	°C
Soldering Temperature	260 ± 5(less than 5 sec.)	°C
Power Consumption	60	mW

**Electrical Characteristics at TA=25°C:**

Parameter	Symbol	Min	Typ	Max	Unit	Test condition
Luminous Intensity Per Segment	Iv	—	5.1	—	mcd	IF=10mA
Dominant Wavelength	$\lambda_d$	—	644	—	nm	IF=20mA
Spectrum Radiation Bandwidth	$\Delta\lambda$	—	26	—	nm	IF=20mA
Forward Voltage Per Segment	Vf	—	1.85	—	V	IF=20mA
Reverse Current Per Segment	Ir	—	—	100	$\mu A$	VR =5V